

99.97% PURE AIR



XLERATOR®/XLERATOReco® HAND DRYER HEPA FILTER RETROFIT KIT

The XLERATOR and XLERATOReco hand dryers offer a new HEPA filtration system proven to remove 99.97% of potentially present bacteria at 0.3 microns from the air stream, and the only one with a washable Pre-Filter for reliable performance and extended filter life. XLERATOR and XLERATOReco with HEPA settles the debate about hand dryer hygiene by delivering clean, filtered, purified air as only XLERATOR and XLERATOReco can – fast and efficiently. The HEPA filtration system is now available as an optional XLERATOR and XLERATOReco feature, or can easily be retrofitted into existing units.

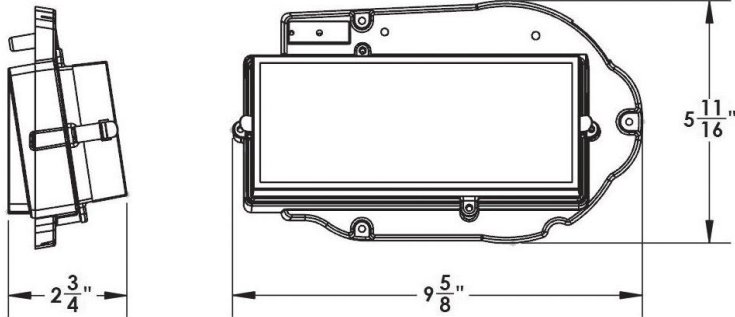
XLERATOR®/XLERATOR^{eco}® HAND DRYER

HEPA FILTER RETROFIT KIT



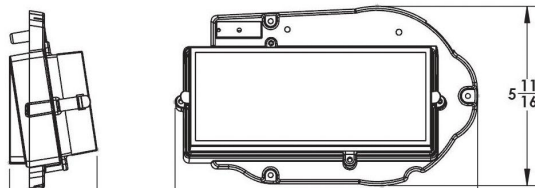
HEPA RETROFIT KIT

PART #40525



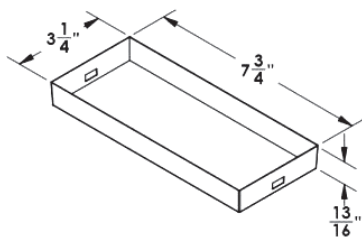
HEPA FILTER

PART #40520



PRE-FILTER

PART #94



Part ID	Description
40525	XLERATOR HEPA Filter Retrofit Kit
40520	XLERATOR HEPA Filter Replacement
94	HEPA Pre-Filter Replacement Metal Mesh

COMPONENTS/FEATURES OF HEPA FILTER RETROFIT KIT (PART #40525)

- ✔ **HEPA Filter**
 Filters 99.97% of bacteria at 0.3 microns from the air stream. Replacement HEPA Filters are available separately (Part #40520).
- ✔ **Pre-Filter**
 Corrosion resistant stainless steel mesh screen that traps large particles and protects the HEPA Filter media. The Pre-Filter is designed with an easy detaching clip system, allowing it to be removed without any tools for rinsing and cleaning of debris, and then reattached with a simple snap fit. Replacement Pre-Filters are available separately (Part #94).
- ✔ **Filter Adapter**
 This component serves as the connecting piece between the HEPA Filter and the motor. It creates an airtight seal to the motor and the HEPA Filter using perimeter closed-cell gaskets.
- ✔ **Pre-Filter Spring Clips**
 Corrosion resistant clips that easily flex outward to remove the Pre-Filter for cleaning. The Pre-Filter is designed to snap easily into place. The spring clips come pre-attached to the HEPA Filter.
- ✔ **Additional Components (Not pictured)**
 - HEPA Control Adapter Plate (Only for 40102 Control)
 - Heater Extension Wire (Only for 40102 Control)
 - Tamper-Proof Hex Wrench

MAINTENANCE

⚠ WARNING: TO REDUCE THE RISK OF ELECTRIC SHOCK, FIRE & PERSONAL INJURY, INSIDE CLEANING MUST BE PERFORMED BY QUALIFIED SERVICE PERSONNEL.

The XLERATOR HEPA Filter includes a durable and removable stainless steel mesh Pre-Filter that can be cleaned, rather than replaced, to improve reliability and extend the lifespan of the filter. It is generally recommended that the Pre-Filter be inspected and cleaned if performance diminishes. If the dryers are installed in an environment that contains excessive lint, dust or other particles in the ambient air, periodic cleaning is recommended. With the proper maintenance, the HEPA filter can last over 5 years.

⚠ DO NOT CLEAN THE HEPA FILTER OR ALLOW IT TO COME INTO CONTACT WITH WATER

LIMITED WARRANTY

The XLERATOR HEPA Filter Retrofit Kit shall be guaranteed to be free from manufacturing defects for a period of one (1) year. Warranty shall consist of replacement parts, and may require the return of the defective parts at manufacturer's option.



TIME TO THROW IN THE TOWEL®

EXCEL DRYER INC • 1.800.255.9235 • EXCELDRYER.COM

DEC
2018

16HFS0007