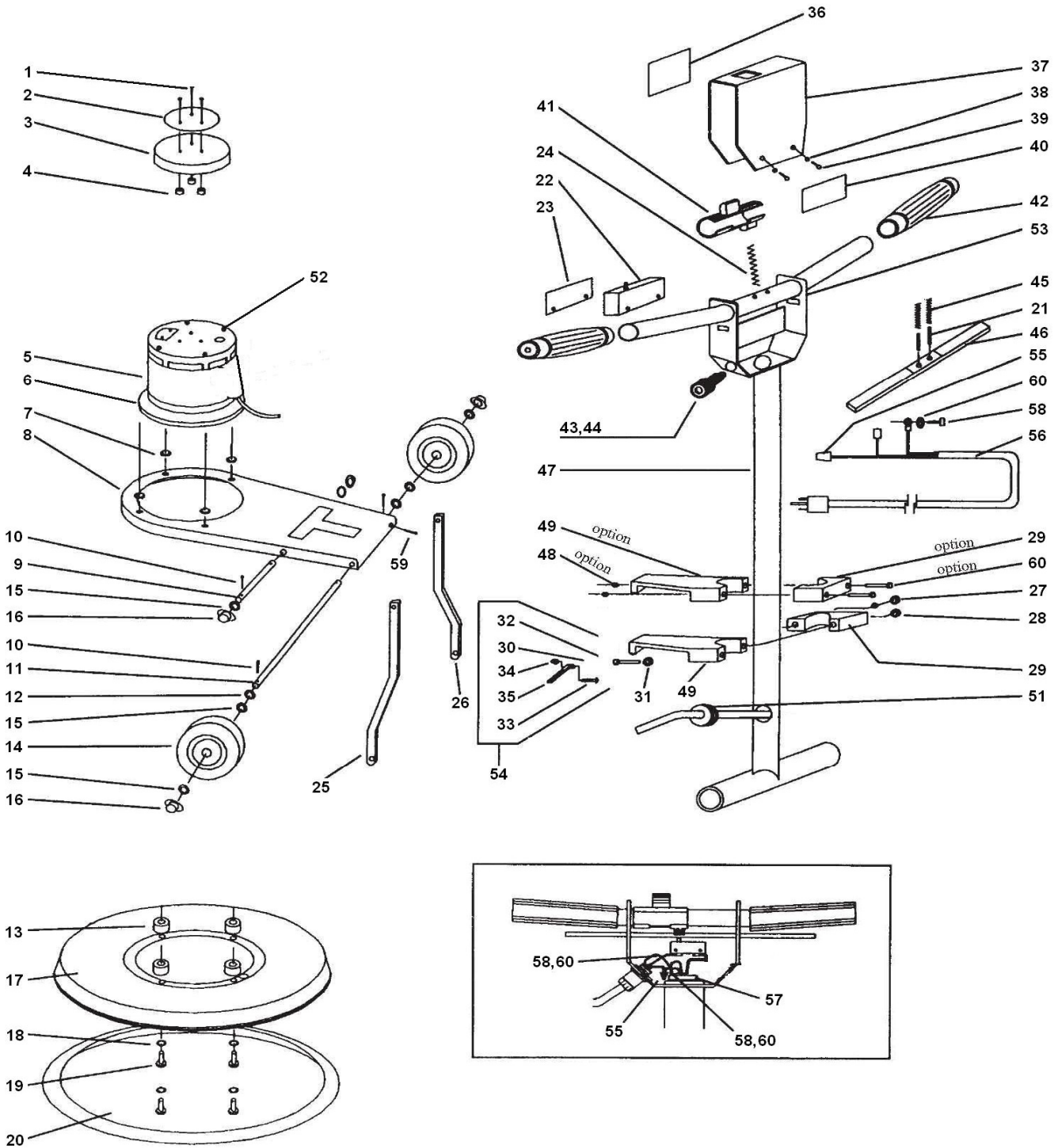


ASTRO 1.5 HP S/S FLOOR MACHINE PARTS LIST



ITEM #	PART #	DESCRIPTION	QTY
1	H0040	SCREW 10-24 X 1.00" / 10-24 X 0.5"	3
2	L0001	ASTRO LABEL	1
3	C0010-1	COVER, DRIP-MOTOR	1
4	H0058	SPACER, DRIP COVER	3
5	E0030	MOTOR ASSEMBLY, 115/60, 1.5 HP	1
6	G0002	GEAR UNIT 10:1, 3-IDLER	1
7	H0005	LOCKWASHER, 5/16" ID, EXT TOOTH	4
8	W0001P	FRAME-FLOOR MACHINE	1
9	M0006P	SHAFT HANDLE	1

<u>ITEM #</u>	<u>PART #</u>	<u>DESCRIPTION</u>	<u>QTY</u>
10	H0006	COTTER PIN	4
11	M0005P	SHAFT, AXLE	1
12	H0007	SPRING WASHER	2
13	M0004	SPACER, FRAME/BRUSH COVER	4
14	C0004	WHEEL, 5" DIA	2
15	H0008	STEEL WASHER, 33/64" X 7/8"	12
16	H0009	PUSH NUT - 0.50"	4
17	S0020P	BRUSH COVER 13"	1
17	S0038P	BRUSH COVER 15"	1
17	S0003P	BRUSH COVER 17"	1
17	S0004P	BRUSH COVER 20"	1
18	H0010	LOCKWASHER, 5/16" ID	4
19	H0011	SCREW, 5/16" X 2.0 SOC HD	4
20	C0015	BUMPER, 13" BLACK	1
20	C0029	BUMPER, 15" BLACK	1
20	C0001	BUMPER, 17" BLACK	1
20	C0002	BUMPER, 20" BLACK	1
21	H0012	ROLL PIN	2
22	E0007	SWITCH, ON/OFF	1
23	H0013	INSULATION, SWITCH	1
24	H0014	SPRING	1
25	S0006P	CONNECTING LEG - LEFT	1
26	S0005P	CONNECTING LEG - RIGHT	1
27	H0015	NUT 3/8" - 16 HEX NYLOC STANDARD	1
28	H0057	NUT 3/8" - 16 HEX NYLOC THIN	1
29	C0006P	CLAMP, HANDLE LOCK	1
30	H0001P	WASHER, HARDENED SLOTTED	1
31	H0016	WASHER, 3/8"	3
32	H0017	STUD, CLAMP	1
33	H0018	RIVET, 5/16" X 1.25 LONG RD HEAD	1
34	H0019	PUSH NUT 5/16"	1
35	M0001P	CAM. HANDLELOCK	1
36	L0002	LABEL, SWITCHBOX	1
37	W0003P	COVER ASMEBLY, SWITCHBOX	1
38	H0020	LOCKWASHER, #10 EXT TOOTH	3
39	H0040	SCREW, 10-24 X 0.50 PAN HEAD	2
40	L0005	LABEL, WARNING	1
41	C0003	SWITCH, SAFETY	1
42	C0007	HANDLE GRIP, BLACK	2
43	H0021	STRAIN RELIEF, POWER CORD	1
44	H0022	NUT, STRAIN RELIEF	1
45	H0023	SPRING, TRIGGER	2
46	S0008P	TRIGGER	1
47	W0002P	HANDLE WELDMENT	1
48	H0024	NUT, 3/8" - 16	2
49	C0008P	CORD HOOK BODY	1
50	H0025	SCREW 3/8" - 16 X 2.0 SOCKET CAP	3
51	H0028	GROMMET	1
52	H0026	SCREW, MOTOR - 1/4"-20 X 6 3/4	4
53	E0010	HANDLE ASSEMBLY, COMPLETE	1
54	HP0003	CAM LOCK ASEMBLY	1
55	H0027	NUT, WIRE	1
56	E0003	POWER CORD, 14/3 ST X 50'	1
57	H0029	CLAMP, POWER CORD	1
58	H0040	SCREW, 10-24 X 0.50	2
59	H0031	COTTER PIN	1
60	H0020	LOCKWASHER, #10 EXT. TOOTH	1